

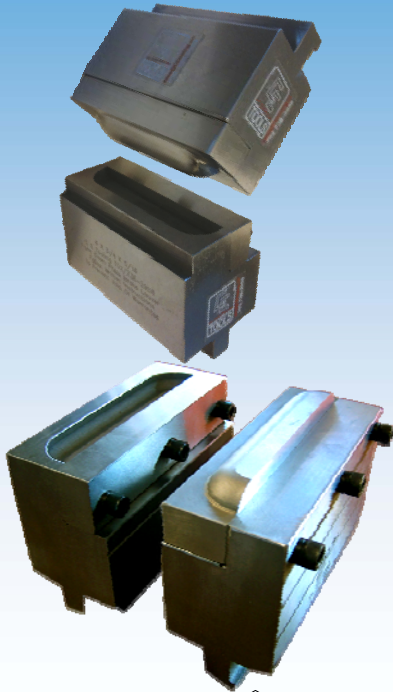


CE TOOLING, INC.
 2560 W. Brooks Av.
 N. Las Vegas
 NV 89032

LOUVERS for PRESS BRAKES

Single, Double, Triple... **CE TOOLING, INC**

STANDARD STOCK SIZES • FORM DOWN American, European & Trumpf/Willa Style Tongue • -10ga SST



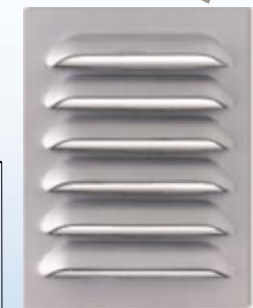
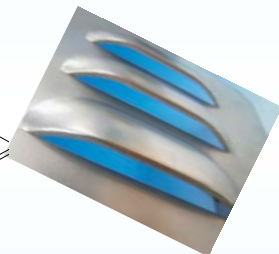
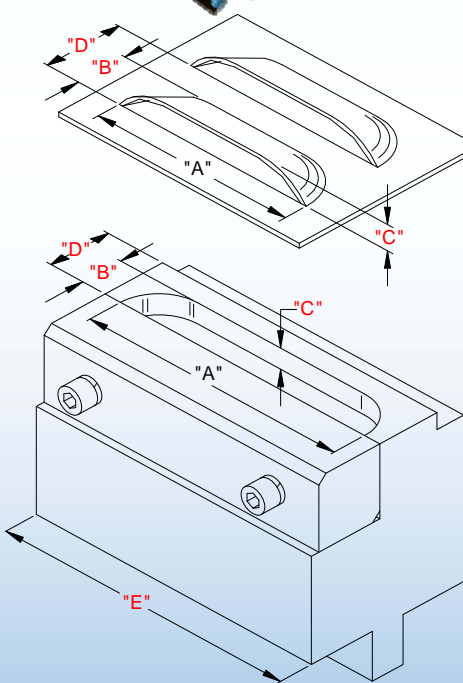
A=Length	2"	3"	3 1/2"	4"	5"	6"	8"	10"
B=Width	1/2"	5/8"		3/4			1"	
C=Height	3/16	1/4"		5/16			1/2"	
D=Spacing Cut to Cut	3/4"	7/8		1-1/8			1-3/8"	
E=Base	2 1/2	3 1/2	4"	4 1/2	5 1/2	6 1/2	8 3/4	10 3/4
American								
European								
Willa/Trumpf								

Non Standard, Closest match to above + \$250 5-12 work days

Sets for Mounting in Die Set for Stamping Press +

Upgrade to semi-high speed steel to extended life in stainless material +

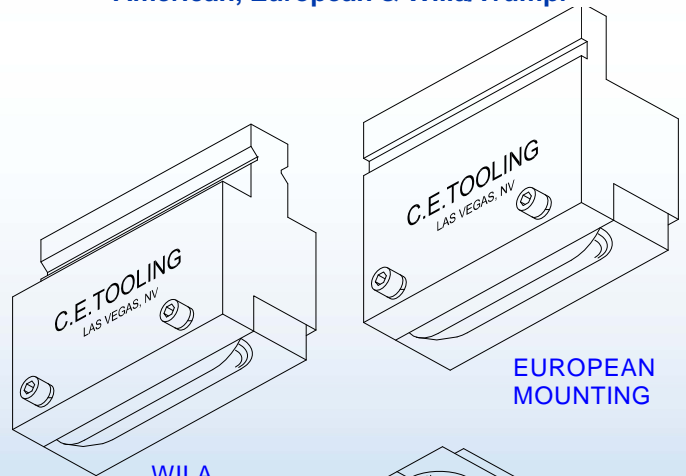
Multiple Louvers in a Single Hit. Side by side or Up & Down +



RISER Part# BED-RISER55-835 EUROPEAN DIE BASE RISER
 Width 60, Height 55 Length 835mm

MOUNTING STYLES

American, European & Willa/Trumpf

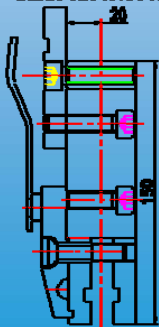


EUROPEAN MOUNTING

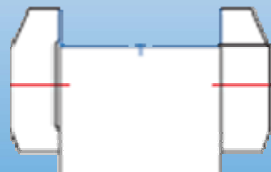
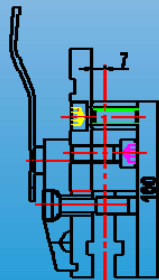
WILA MOUNTING

UNIVERSAL EUROPEAN HOLDERS
 Holds European or American Tools

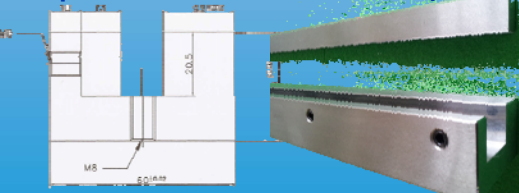
BEAH-C20-H150-H150-01



BEAH-C7-H100-H150-01



Adapters Euro to American or Trumpf



Willa/Trumpf Upper Tang

Our Default is Willa Original style having 20mm wide tang. We can also offer the Willa .50" American tang at same price.

CE TOOLING sales@cetooling.com